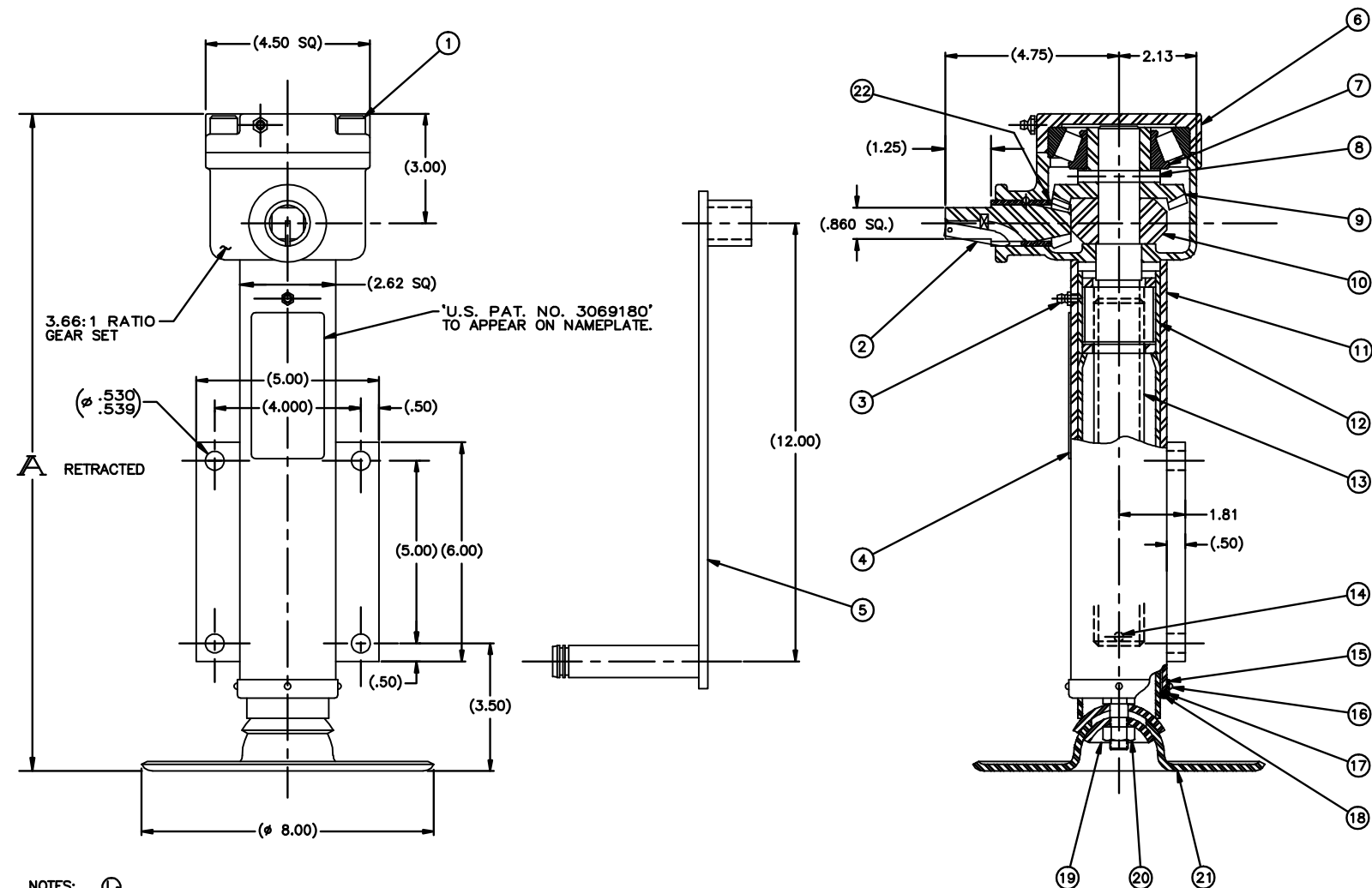


PART NO.	STROKE	RETRACTED	OUTER TUBE ITEM 11	INNER TUBE ITEM 12	SCREW ITEM 13	SIDE LOAD	WT.
31030-3	3	15	D-07-031031-5	C-07-018155-15	D-07-014091-62	1100	36
31030-6	6	18	D-07-031031-1	C-07-018155-2	D-07-014091-31	1100	39
31030-12	12	24	D-07-031031-2	C-07-018155-3	D-07-014091-27	600	45
31030-18	18	30	D-07-031031-3	C-07-018155-4	D-07-014091-35	400	51
31030-24	24	36					57
31030-30	30	42					63

REV.	DESCRIPTION	DATE	BY	APP
G	REDRAWN, PUT ON AUTOCAD; (ENG UPDATE)	1/20/98	DJH	RCW
H	P/N 31030-3 ADDED TO CHART	1/24/00	VP	RCW
J	ITEM 14 WAS LL 1/4 X 1 3/8, ADDED SPEC. MS35671-57	1/27/04	KLK	MRS
K	ITEM 14 WAS LL 1/4 X 1 3/4	11/11/04	DDR	MRS
L	L ₁ ADDED JACK DATA; L ₂ UPDATED NOTES	8/11/06	RWN	MRS



- NOTES: (L)
- FINISH:
 - PRIMER: 1-COAT PER TT-P-636 (RED OXIDE), UNLESS OTHERWISE SPECIFIED ON SALES ORDER.
 - FINISH PER SALES ORDER.
 - PRIMER AND PAINT UNIT IN RETRACTED POSITION.
 - GREASE PER CIGNYS LUBE SPEC DOC 413-23. PACK BEARINGS, AND COAT SCREW & NUT. SPRAY CONTACT PORTION OF INNER TUBE WITH LUBRIBOND 220 PRIOR TO ASSY.
 - PLATING: ALL EXTERIOR HARDWARE ITEMS ZINC PLATE PER ASTM B-633-85, CLASS FE/ZN (.0002 THK.) TYPE III (CLEAR)
- (4) FURNISH 12" CRANK UNLESS OTHERWISE SPECIFIED.

- (L) JACK DATA:
- 14.6 REVS. INPUT FOR 1 INCH OF STROKE
 - 22,000 LB MAXIMUM STATIC COMPRESSION TO YIELD
 - APPROX. 285 INCH LB. TORQUE INPUT AT MAXIMUM OPERATING LOAD

ITEM #	PART NUMBER	QTY	DESCRIPTION	MATERIAL OR NOTE	SPECIFICATION
22	07-007578-18	1	WASHER, THRUST		80200716
21	07-007672-8	1	FOOT PAD		
20	91-034050-12	1	NUT, SELF LOCKING	1/2-20 UNC	
19	07-007523-23A	1	PAD CUP, INSIDE		
18	07-013398	2	RING, SCRAPER		
17	07-013397	1	SEAL, JACK		
16	#6-32 X 3/16	4	SCREW, MACH. PAN. HD.	#6-32NC X 3/16 LG	MS35225-25
15	07-013396	1	RETAINER, SEAL		
14	LL 1/4 X 1-1/2 GP	1	GROOVE PIN	1/4 DIA X 1 1/2" LG	MS35671-56
13	SEE CHART	1	SCREW, ASSY	1 3/8-4 THD	
12	SEE CHART	1	INNER TUBE ASSY		
11	SEE CHART	1	OUTER TUBE ASSY		
10	07-007578-14P	1	THRUST COLLAR		
9	07-007578-2C	1	GEAR, BEVEL		
8	LL 5/16 X 2-1/4	1	PIN, SPRING	5/16 DIA X 2 1/4 LG	MS09048
7	53117	1	CONE, BEARING	TIMKEN OR EQ.	
6	07-010725	1	CAP ASSY		
5	07-010582-M / -K	1	HANDLE 12" / 8"		
4	07-014468	1	NAME PLATE		
3	1641-B	1	FITTING LUBE	1/4-28 THD	MS15001-1
2	07-007587-E	1	GEAR, PINION		
1	1/2-13 X 1-1/4	4	SCREW, SOCKET HEAD, CAP		MS16997

MATERIAL: SEE DETAILS

DRAWN BY: R.C. GERISH

CHECKED BY: DJH

ENGINEERING APPROVAL: MRS

DATE DRAWN: 9/23/63

CUSTOMER:

GEOMETRY CREATED IN AutoCAD

DESCRIPTION: LEVELING JACK-RIGID 7,500 LBS. OPERATING

CODE IDENT NO. 52793

SIZE D

PART NUMBER / FILE NAME: 31030

SCALE: 1/2

DO NOT SCALE DRAWING

SHEET: 1 of 1

REFERENCE: D-31033 W/RUBBER ON FOOT PAD, D-31032 WITH TUBE LOCK, D-41928-D

31030