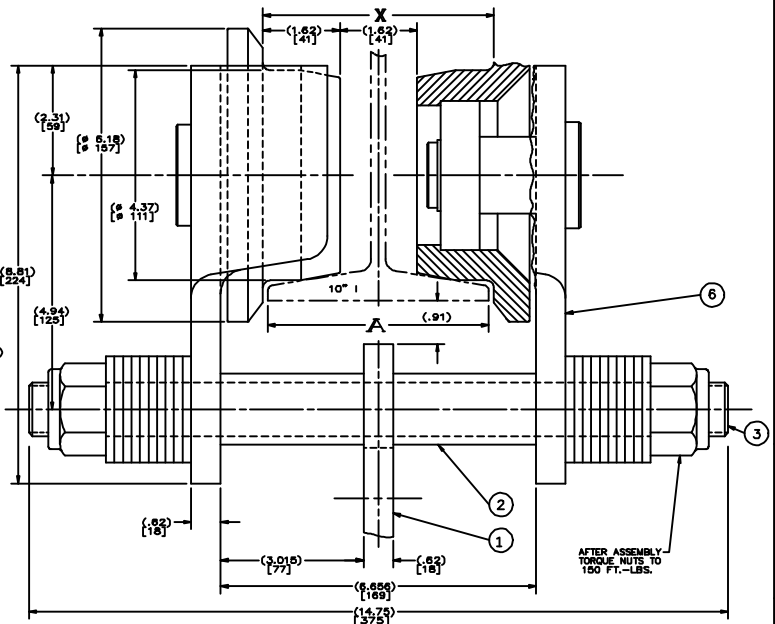
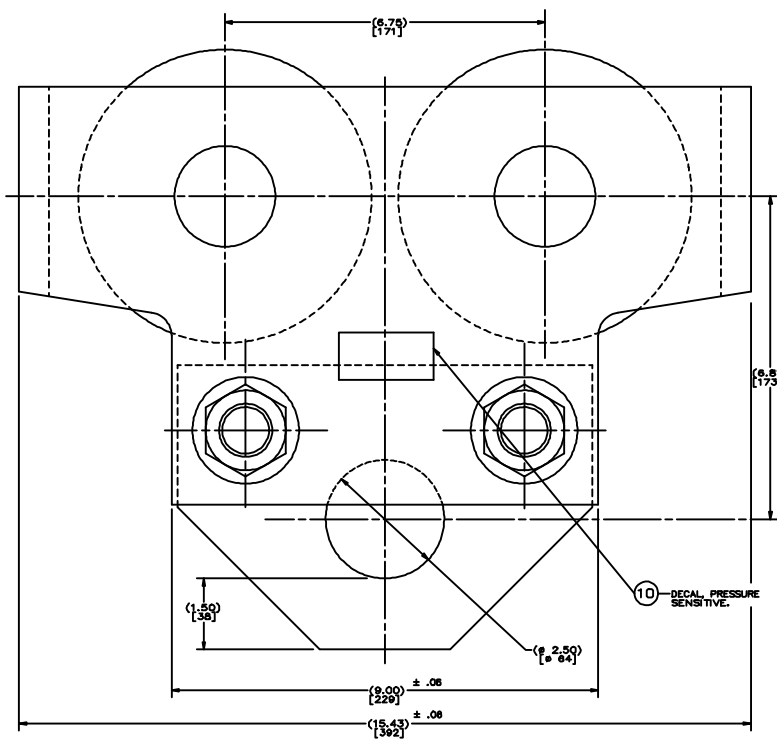


REV	REVISIONS	DATE	APPROVED
A	REMOVED ITEMS #1, 2, 3 & 4; ITEM #2 WAS 17-049718 4-HOLE Ø 1/8" 17-049718, 4-REVISED HOLE #, (ENG. UPDATE)	11/14/01	VP/RCW
B	REVISED NOTE #3	11/08/02	KLK/RCW



- NOTES:
- ASSEMBLE TROLLEY WHEELS, BEARINGS AND RETAINER RINGS TO SIDE PLATE. AFTER ASSEMBLY PAINT ALL OVER WITH GLOSS BLACK, SP 100-670, FAST DRYING ENAMEL.
 - THE HANGER SHAFT, WASHERS, SPACER TUBES, LOCK NUTS AND HANGER TO BE SHIPPED LOOSE IN A CLOTH BAG.
 - CAPACITY 11,000 POUNDS, (5000 KG). (TROLLEY ULTIMATE STRENGTH MUST BE IN EXCESS OF FIVE TIMES RATED CAPACITY—55,000 POUNDS).
 - TROLLEY WHEEL OUTER TREAD TO BE CROWNED TO OPERATE ON EITHER TAPERED, OR FLAT BEAM.
 - EACH TROLLEY TO BE PACKED WITH ONE-PAGE INSTRUCTION SHEET, (TL-980-1).
 - DIMENSIONS IN [] ARE MILLIMETERS.

Ø	Ø	Ø	Ø
B WF X 31#	(8.000) [203]	(8.183)	
(24") [610]	(7.247) [184]	(7.500)	
(10") [254]	(4.060) [118]	(4.843)	
I-BEAM	A	X	NEED ASST

ITEM	QTY	UNIT	PART OR IDENTIFYING NO.	NOMENCLATURE OR DESCRIPTION	CODE IDENT	MATERIAL OR NOTE	SPECIFICATION
1	10	A	17-049719	NAME PLATE DECAL			49705-DEC
2	3	B	17-053441	HANGER SHAFT			5 T HOWE
2	3	C	17-053440	SIDE PLATE & WHEEL ASSEMBLY			5 T-SUB ASSY.
1	1	C	17-044721	HANGER			

SEE DETAILS PART OR IDENTIFYING NO. D-17 D-17 RCW 8-28-96	5 TON HOIST TROLLEY FILE NAME: D-49705 CODE IDENT NO. 52793 D SCALE: FULL ACT WT 105#
--	---

D-640 MIN. RAD. LAYOUT

D-17-044916, 8-17-044718

17-049705